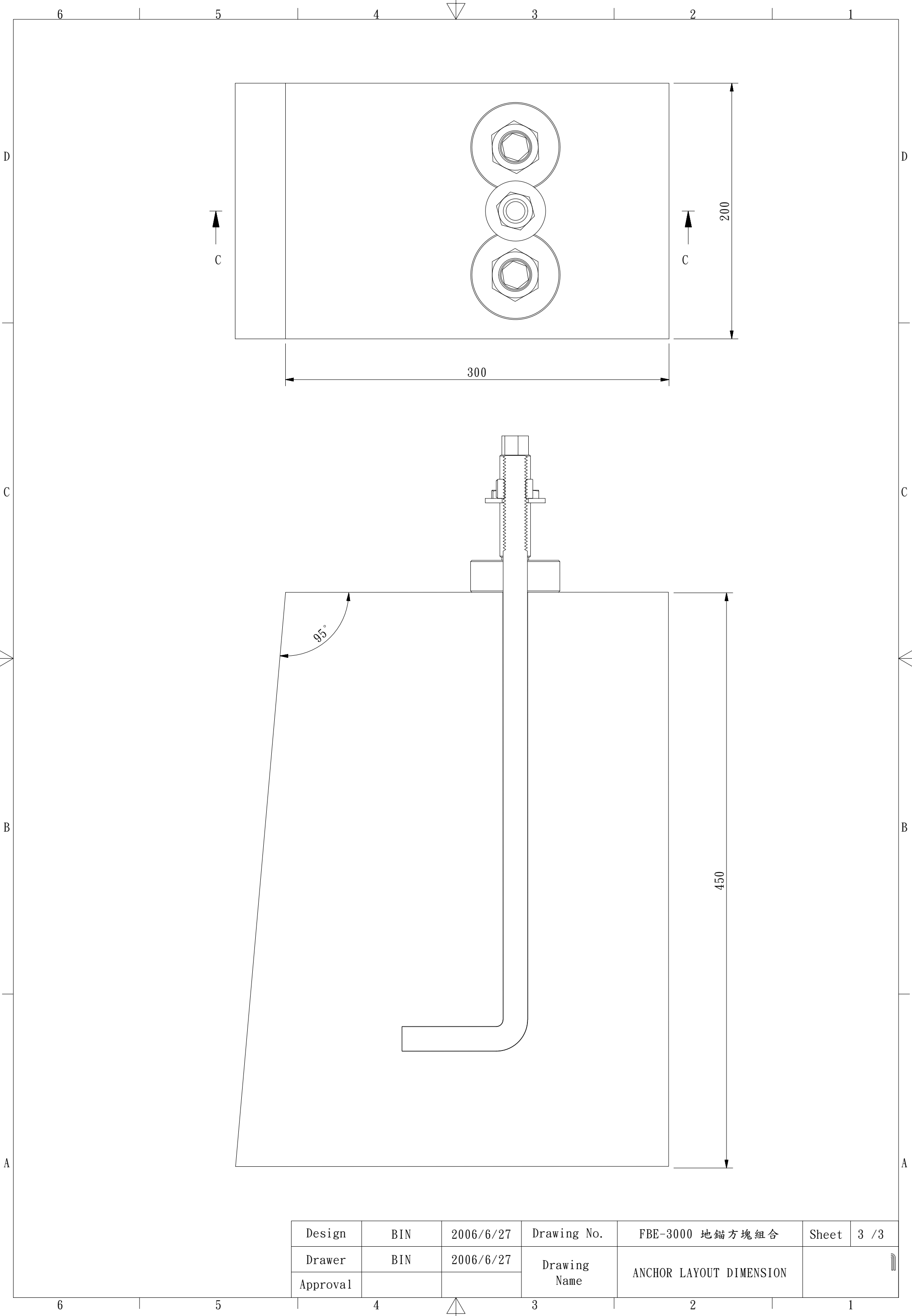


Design	BIN	2006/6/27	Drawing No.	FBE-3000 地基結合	Sheet	1 / 3
Drawer	BIN	2006/6/27	Drawing Name	FOUNDATION LAYOUT DIMENSION		
Approval						



Design	BIN	2006/6/27	Drawing No.	FBE-3000 地錨方塊組合	Sheet	3 / 3
Drawer	BIN	2006/6/27	Drawing Name	ANCHOR LAYOUT DIMENSION		
Approval						